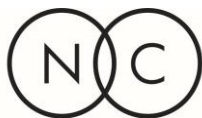


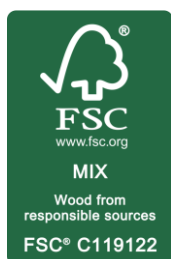
# SUSTAINABILITY DECLARATION

## SPUTNIK



INCLUSIVE DESIGN

## QUALITY AND ENVIRONMENTAL LABELLING



## MATERIAL CONTENT

Wood	4,14 kg	89,6 %
Steel	0,35 kg	7,6 %
Foam	0,06 kg	1,3 %
Fabric	0,06 kg	1,3 %
Plastic	0,01 kg	0,3 %
<b>Total</b>	<b>4,62 kg</b>	<b>100 %</b>

*Disclaimer: Material content is based on Sputnik 200 with fabric Xtreme from Camira Fabrics. Numbers may vary based on model and options selected. This applies throughout the declaration.*

## RECYCLED MATERIAL

Post-consumer recycled content	0,13 kg	2,8 %
Pre-consumer recycled content	0 kg	0 %
Total recycled content	0,13 kg	2,8 %

## RECYCLABILITY:

Material recycling	0,42 kg	9,1 %
Energy recovery	4,20 kg	90,9 %

## TOTAL CO2:

**2,02 KG**

ENERGY VALUE: (in accordance with NF Environnement)

47,3 MJ

## FULFILLED TECHNICAL STANDARDS

- EN 16139 Strength, durability and safety, for personnel weight of 110 kg.
- EN 1728 Test methods for the determination of the strength and durability
- EN 1022 Determination of stability
- EN 12720 Assessment of surface resistance to cold liquids
- SIS 83 91 17 Assessment of surfaces resistance to scratches
- EN ISO 105-E04 Colour fastness to perspiration

## FULFILLED FIRE REQUIREMENTS

- EN 1021-1 Assessment of the ignitability of upholstered furniture – part 1: Ignition source smouldering cigarette
- EN 1021-2 Assessment of the ignitability of upholstered furniture – part 2: Ignition source match flame equivalent
- Euroclass D

## CHEMICAL DATA

Following have not been added to the product:

Substances on Reach candidate list

Asbestos

Heavy metals

Brominated or halogenated flame retardants

PVC

Hexavalent chromium

## COMPANY CERTIFICATIONS

- ISO 14001
- ISO 9001
- OHSAS 18001
- FSC® Chain of Custody

## PACKAGING AND TRANSPORT

Packaged in recyclable packaging. NC is connected to FTI, the Swedish nationwide recycling system for packaging. Shipped with external carriers.

## MATERIALS

Wood certified with FSC Mix.

Plywood meets CARB Phase 2 and E1 formaldehyde emissions.

Foam certified with Oeko-Tex.

Fabric from 100 % recycled polyester, certified with EU Ecolabel.

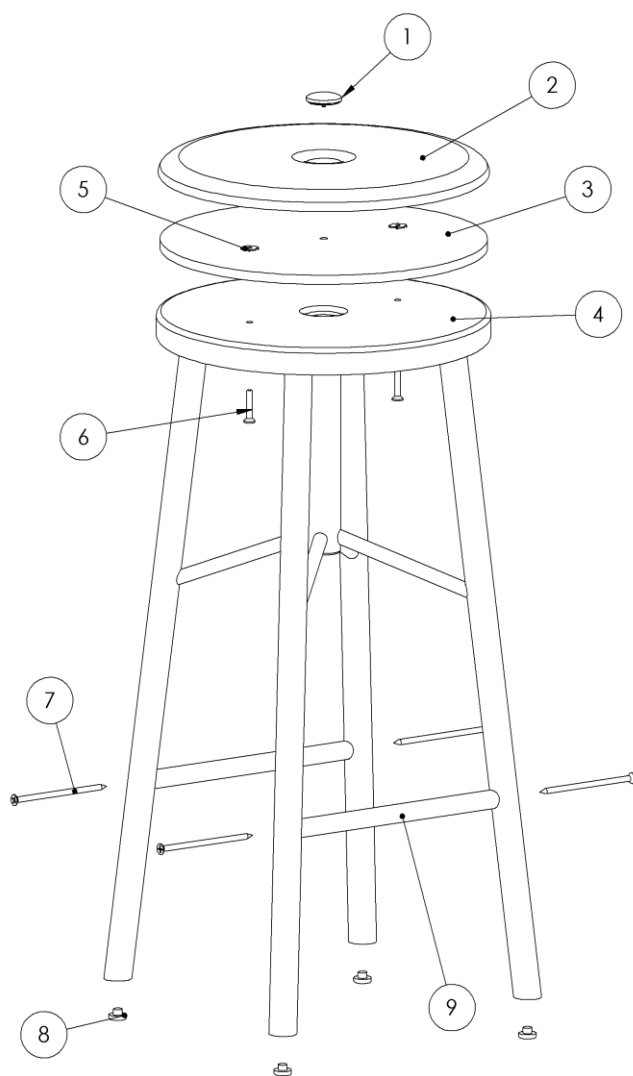
No conflict minerals.

## CARE AND MAINTENANCE RECOMMENDATIONS

Please visit our webpage.

<http://www.ncnordiccare.se/care-instructions/?lang=en>

## RECYCLING



Wood	3, 4
Steel	1, 5, 6, 7, 8, 9
Plastic	8, 9
Foam	2
Fabric	1, 2

## LEED CONTRIBUTION

The product can contribute to the earning of points within the following credits.

### LEED 2009

#### Interior Design & Construction

MR 4 Recycled Content	Post consumer 2,8 %, Pre consumer 0 %.
MR 6 Rapidly renewable materials	Textile options are offered that may contribute to this credit.
MR 7 Certified wood	The product is labelled with FSC Mix.

#### Building Design and Construction

MR 4 Recycled Content	Post consumer 2,8 %, Pre consumer 0 %.
MR 6 Rapidly renewable materials	Textile options are offered that may contribute to this credit.
MR 7 Certified wood	The product is labelled with FSC Mix.

#### Building Design and Maintenance

MR 2.2 Sustainable purchasing – durable goods: furniture	The product is labelled with FSC Mix. Recycled content: Post consumer 2,8 %, Pre consumer 0 %
--	--

### LEED V 4

#### Interior Design & Construction

MR Credit: Interiors life-cycle impact reduction	Services offered for recycling, refreshing or reusing products. Share of recyclable material in the product: 9,1 %.
MR Credit: Building product disclosure and optimization – sourcing of raw materials	The product is labelled with FSC Mix. Recycled content: Post consumer 2,8 %, Pre consumer 0 %.

#### Building Design and Construction

MR Credit: Furniture and medical furnishings (healthcare)

The product contains no or less than 100ppm hexavalent chromium, heavy metals, PFCs or PFOA, or added anti-microbial treatments.

The product is labelled with FSC Mix.

Recycled content: Post consumer 2,8 %,  
Pre consumer 0 %.

## Building Operations and Maintenance

MR Credit: purchasing—facility maintenance and renovation

The product is labelled with FSC Mix.

The product does not contain any substances on REACH Authorization or Candidate list.

Verified date: 2017-12-06