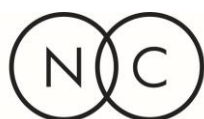


SUSTAINABILITY DECLARATION

JACKIE CHAIR



INCLUSIVE DESIGN

QUALITY AND ENVIRONMENTAL LABELLING



MATERIAL CONTENT

Wood	6,48 kg	85,2 %
Steel	0,40 kg	5,3 %
Fabric	0,29 kg	3,7 %
Foam	0,26 kg	3,4 %
Plastic	0,17 kg	2,2 %
Leather	0,02 kg	0,3 %
Total	7,62 kg	100 %

Disclaimer: Material content is based on Jackie 132 with fabric Xtreme from Camira Fabrics. Numbers may vary based on model and options selected. This applies throughout the declaration.

RECYCLED MATERIAL

Post-consumer recycled content	0,27 kg	3,5 %
Pre-consumer recycled content	0 kg	0 %
Total recycled content	0,27 kg	3,5 %

RECYCLABILITY:

Material recycling	0,76 kg	10,0 %
Energy recovery	6,86 kg	90,0 %

TOTAL CO2:



ENERGY VALUE: (in accordance with NF Environnement)

115 MJ

FULFILLED TECHNICAL STANDARDS

- EN 16139 Strength, durability and safety, for personnel weight of 110 kg.
- EN 1728 Test methods for the determination of the strength and durability
- EN 1022 Determination of stability
- EN 12720 Assessment of surface resistance to cold liquids
- SIS 83 91 17 Assessment of surfaces resistance to scratches
- EN ISO 105-E04 Colour fastness to perspiration

FULFILLED FIRE REQUIREMENTS

- EN 1021-1 Assessment of the ignitability of upholstered furniture – part 1: Ignition source smouldering cigarette
- EN 1021-2 Assessment of the ignitability of upholstered furniture – part 2: Ignition source match flame equivalent
- Euroclass D

CHEMICAL DATA

Following have not been added to the product:

Substances on Reach candidate list

Asbestos

Heavy metals

Brominated or halogenated flame retardants

PVC

Hexavalent chromium

COMPANY CERTIFICATIONS

- ISO 14001
- ISO 9001
- OHSAS 18001
- FSC® Chain of Custody

PACKAGING AND TRANSPORT

Packaged in recyclable packaging. NC is connected to FTI, the Swedish nationwide recycling system for packaging. Shipped with external carriers.

MATERIALS

Wood certified with FSC Mix.

Plywood meets CARB Phase 2 and E1 formaldehyde emissions.

Foam certified with Oeko-Tex.

Fabric made of 100 % recycled post-consumer polyester and Trevira CS, certified with EU Ecolabel.

Leather vegetable tanned.

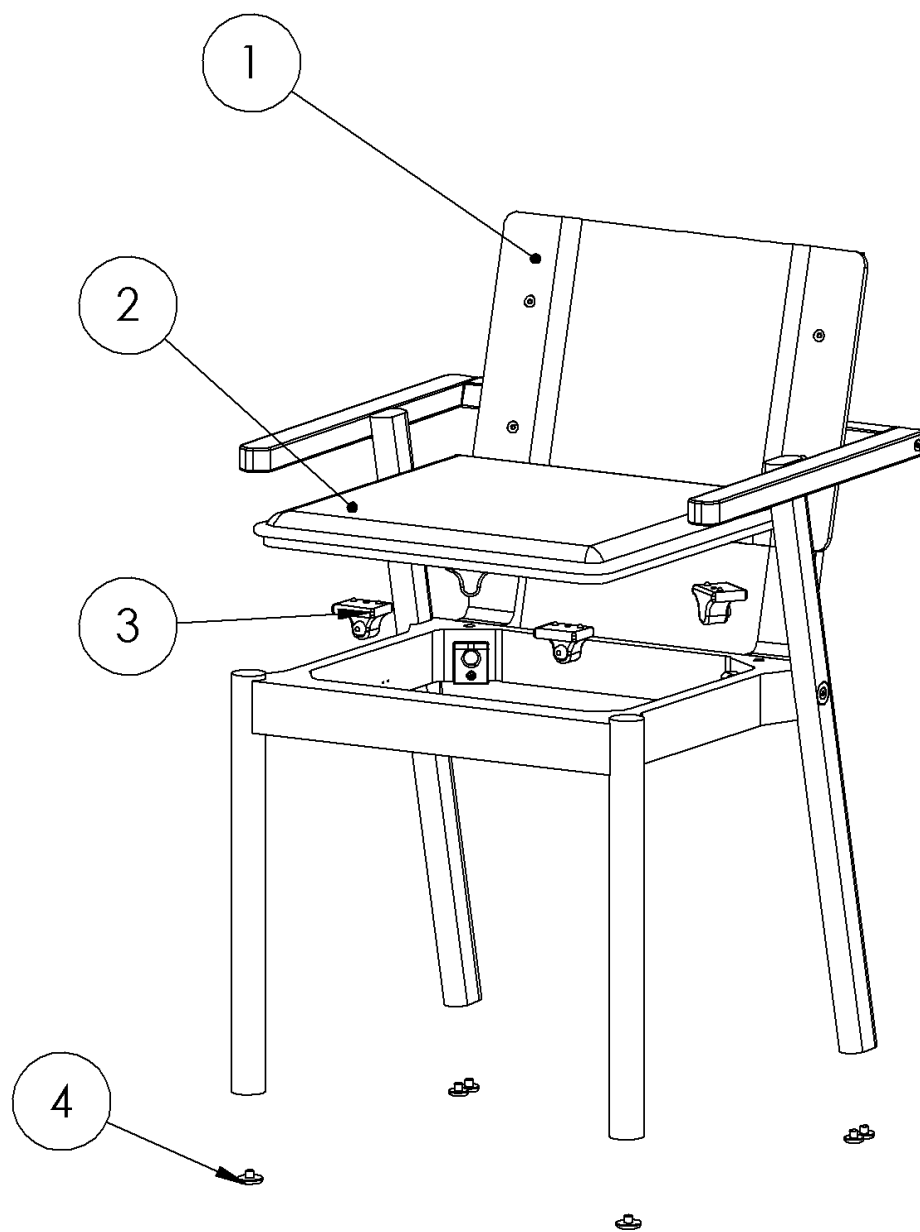
No conflict minerals.

CARE AND MAINTENANCE RECOMMENDATIONS

Please visit our webpage.

<http://www.ncnordiccare.se/care-instructions/?lang=en>

RECYCLING



Wood	1, 2
Steel	1, 2, 4
Fabric	2
Plastic	3, 4
Foam	2

LEED CONTRIBUTION

The product can contribute to the earning of points within the following credits.

LEED 2009

Interior Design & Construction

MR 4 Recycled Content	Post consumer 3,5 %, Pre consumer 0 %.
MR 7 Certified wood	The product is labelled with FSC Mix.

Building Design and Construction

MR 4 Recycled Content	Post consumer 3,5 %, Pre consumer 0 %.
MR 7 Certified wood	The product is labelled with FSC Mix.

Building Design and Maintenance

MR 2.2 Sustainable purchasing – durable goods: furniture	Recycled content: Post consumer 3,5 %, Pre consumer 0 %. The product is labelled with FSC Mix.
--	---

LEED V 4

Interior Design & Construction

MR Credit: Interiors life-cycle impact reduction	Services offered for recycling, refreshing or reusing products. Share of recyclable material in the product: 10,0 %.
MR Credit: Building product disclosure and optimization – sourcing of raw materials	The product is labelled with FSC Mix. Recycled content: Post consumer 3,5 %, Pre consumer 0 %.

Building Design and Construction

MR Credit: Building product disclosure and optimization – sourcing of raw materials	Recycled content: Post consumer 3,5 %, Pre consumer 0 %.
---	--

MR Credit: Furniture and medical furnishings (healthcare)

The product contains no or less than 100ppm hexavalent chromium, heavy metals, PFCs or PFOA, or added anti-microbial treatments.

The product is labelled with FSC Mix.

Recycled content: Post consumer 3,5 %, Pre consumer 0 %.

Building Operations and Maintenance

MR Credit: purchasing—facility maintenance and renovation

The product is labelled with FSC Mix.

The product does not contain any substances on REACH Authorization or Candidate list.

Verified date: 2018-02-26