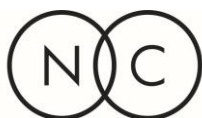


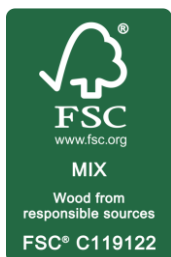
SUSTAINABILITY DECLARATION

KURBITS ARMCHAIR



INCLUSIVE DESIGN

QUALITY AND ENVIRONMENTAL LABELLING



MATERIAL CONTENT

Wood	15,21 kg	86,0 %
Foam	1,62 kg	9,2 %
Fabric	0,80 kg	4,5 %
Steel	0,04 kg	0,2 %
Plastic	<0,01 kg	<0,1 %
Total	17,68 kg	100 %

Disclaimer: Material content is based on Kurbits 324 with fabric Xtreme from Camira Fabrics. Numbers may vary based on model and options selected. This applies throughout the declaration.

RECYCLED MATERIAL

Post-consumer recycled content	0,81 kg	4,6 %
Pre-consumer recycled content	0 kg	0 %
Total recycled content	0,81 kg	4,6 %

RECYCLABILITY:

Material recycling	0,85 kg	4,8 %
Energy recovery	16,83 kg	95,2 %

TOTAL CO2:

20,5 KG

ENERGY VALUE: (in accordance with NF Environnement)

492 MJ

FULFILLED TECHNICAL STANDARDS

- EN 16139 Strength, durability and safety, for personnel weight of 110 kg.
- EN 1728 Test methods for the determination of the strength and durability
- EN 1022 Determination of stability
- EN 12720 Assessment of surface resistance to cold liquids
- SIS 83 91 17 Assessment of surfaces resistance to scratches
- EN ISO 105-E04 Colour fastness to perspiration

FULFILLED FIRE REQUIREMENTS

- EN 1021-1 Assessment of the ignitability of upholstered furniture – part 1: Ignition source smouldering cigarette
- EN 1021-2 Assessment of the ignitability of upholstered furniture – part 2: Ignition source match flame equivalent
- Euroclass D

Disclaimer: Fire requirements EN 1021-1 and EN 1021-2 are based on fabric Xtreme from Camira.

CHEMICAL DATA

Following have not been added to the product:

Substances on Reach candidate list

Asbestos

Heavy metals

Phthalates

Brominated or halogenated flame retardants

PVC

Hexavalent chromium

COMPANY CERTIFICATIONS

- ISO 14001
- ISO 9001
- OHSAS 18001
- FSC® Chain of Custody

PACKAGING AND TRANSPORT

Packaged in recyclable packaging. NC is connected to FTI, the Swedish nationwide recycling system for packaging. Shipped with external carriers.

MATERIALS

Wood certified with FSC Mix.

Particle board certified with FSC Mix and meets E1 formaldehyde emissions.

Foam certified with Oeko-Tex.

Fabric from 100 % recycled polyester, certified with EU Ecolabel.

Rubber webbing in polyurethane, free from phthalates and PVC. Certified with Oeko-Tex.

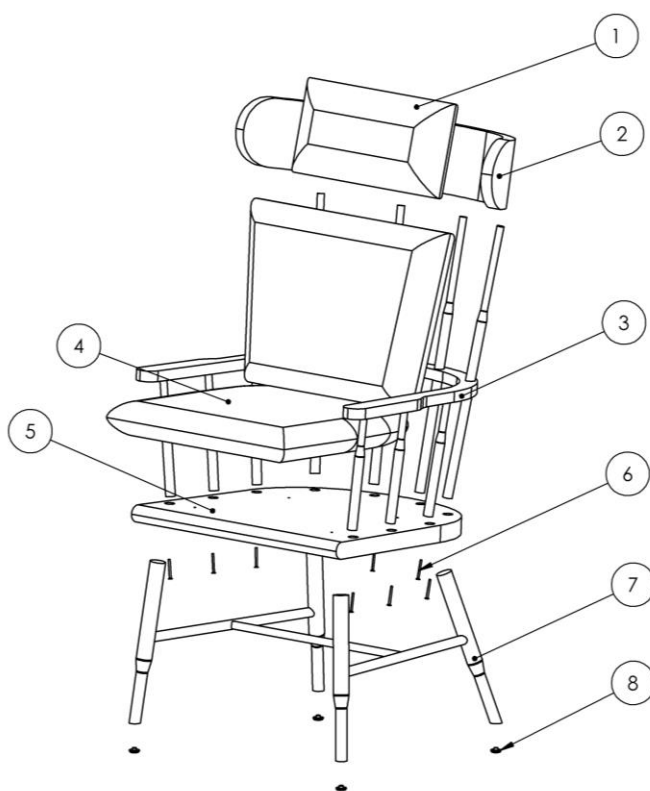
No conflict minerals.

CARE AND MAINTENANCE RECOMMENDATIONS

Please visit our webpage.

<http://www.ncnordiccare.se/care-instructions/?lang=en>

RECYCLING



Wood	2, 3, 5, 7
Foam	1, 4
Fabric	1, 4
Plastic	8
Steel	1, 4, 6, 8

LEED CONTRIBUTION

The product can contribute to the earning of points within the following credits.

LEED 2009

Interior Design & Construction

MR 4 Recycled Content	Post consumer 4,6 %, Pre consumer 0 %.
MR 6 Rapidly renewable materials	Textile options are offered that may contribute to this credit.
MR 7 Certified wood	The product is labelled with FSC Mix.

Building Design and Construction

MR 4 Recycled Content	Post consumer 4,6 %, Pre consumer 0 %.
MR 6 Rapidly renewable materials	Textile options are offered that may contribute to this credit.
MR 7 Certified wood	The product is labelled with FSC Mix.

Building Design and Maintenance

MR 2.2 Sustainable purchasing – durable goods: furniture	Recycled content: Post consumer 4,6 %, Pre consumer 0 %. The product is labelled with FSC Mix.
--	---

LEED V 4

Interior Design & Construction

MR Credit: Interiors life-cycle impact reduction	Services offered for recycling, refreshing or reusing products. Share of recyclable material in the product: 4,8 %.
MR Credit: Building product disclosure and optimization – sourcing of raw materials	Recycled content: Post consumer 4,6 %, Pre consumer 0 %. The product is labelled with FSC Mix.

Building Design and Construction

MR Credit: Building product disclosure and optimization – sourcing of raw materials	Recycled content: Post consumer 4,6 %, Pre consumer 0 %. The product is labelled with FSC Mix.
---	---

MR Credit: Furniture and medical furnishings (healthcare)

The product contains no or less than 100ppm hexavalent chromium, heavy metals, PFCs or PFOA, or added anti-microbial treatments.

The product is labelled with FSC Mix.

Building Operations and Maintenance

MR Credit: purchasing—facility maintenance and renovation

The product is labelled with FSC Mix.

The product does not contain any substances on REACH Authorization or Candidate list.

Verified date: 2018-07-11